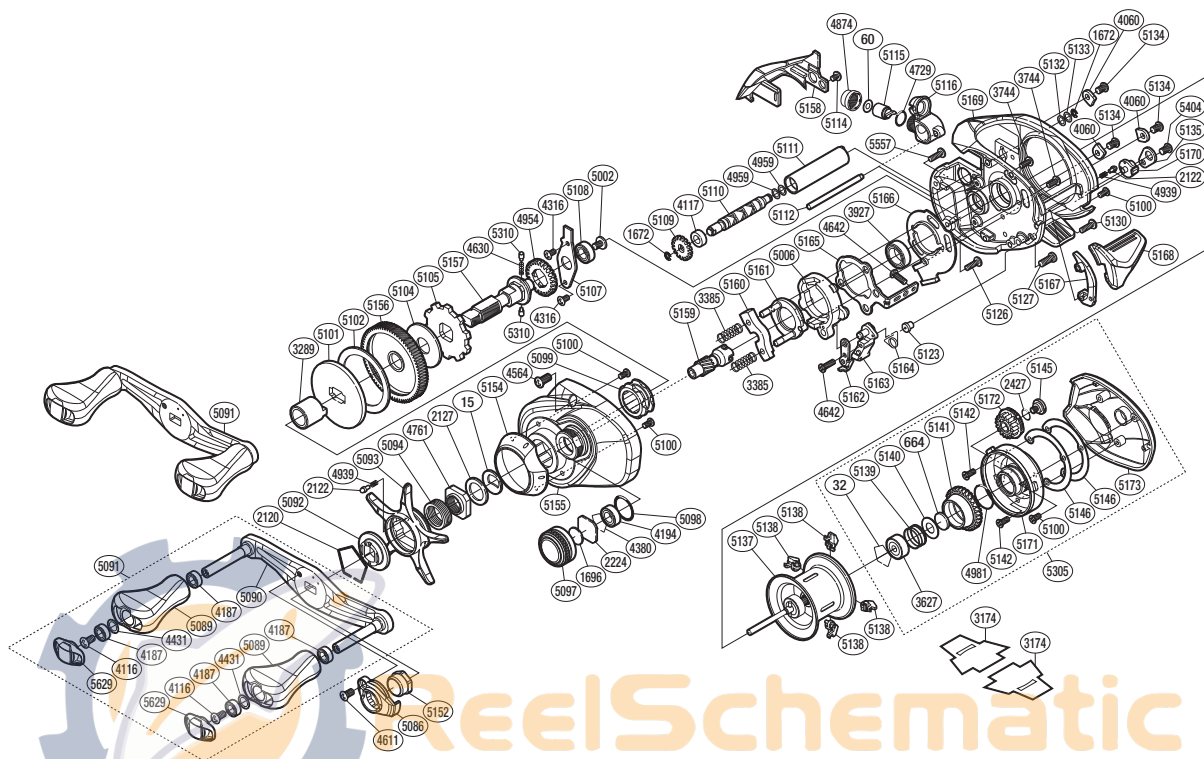


# SHIMANO

ALDEBARAN SA-RB

ALD-51



Please note that the number of adjusting washers may not be the same as shown in the exploded views. (Adjustment will vary with each individual product.)

(51RH900051X)

Part No.	Description	Part No.	Description	Part No.	Description
BNT0015	Drag Spring Washer	BNT5006	Clutch Cam	BNT5140	Washer
BNT0032	Bearing Retainer	BNT5086	Handle Retainer	BNT5141	Brake Pipe Gear
BNT0060	Spacer	BNT5089	Handle Knob	BNT5142	Screw
BNT0664	Spacer B	BNT5090	Handle Shank Assembly	BNT5145	Screw
BNT1672	E Lock	BNT5091	Handle Assembly	BNT5146	Washer
BNT1696	Cast Control Spacer	BNT5092	Star Drag Click Plate	BNT5152	Handle Nut
BNT2120	Click Plate Retainer	BNT5093	Star Drag	BNT5154	Clutch Button Attachment
BNT2122	Click Pin	BNT5094	Star Drag Spring	BNT5155	Left Side Plate
BNT2127	Star Drag Spacer	BNT5097	Cast Control Cap	BNT5156	Drive Gear
BNT2224	Spool Tension Spacer	BNT5098	O Ring	BNT5157	Drive Shaft
BNT2427	O Ring	BNT5099	Roller Clutch Bearing	BNT5158	Level Wind Protector
BNT3289	Roller Clutch Inner Tube	BNT5100	Screw	BNT5159	Pinion Gear
BNT3385	Yoke Spring	BNT5101	Key Washer	BNT5160	Yoke
BNT3627	Ball Bearing	BNT5102	Drag Washer	BNT5161	Clutch Cam Retainer
BNT3744	Screw	BNT5104	Drag Washer	BNT5162	Clutch Pawl B
BNT3927	Ball Bearing	BNT5105	Anti-Reverse Ratchet	BNT5163	Clutch Pawl A
BNT4060	Side Frame Plate	BNT5107	Drive Shaft Retainer	BNT5164	Clutch Pawl Spring
BNT4116	Screw	BNT5108	Ball Bearing	BNT5165	Clutch Plate
BNT4117	Handle Knob Bushing	BNT5109	Idle Gear	BNT5166	Clutch Guard
BNT4187	Ball Bearing	BNT5110	Worm Shaft	BNT5167	Clutch Bar Guide
BNT4194	Ball Bearing	BNT5111	Level Wind Guard	BNT5168	Quick-Fire li Clutch Bar
BNT4316	Screw	BNT5112	Stabilizer Bar	BNT5169	One-Piece Frame
BNT4380	Retainer	BNT5114	Screw	BNT5170	Side Plate Cam Lever
BNT4431	Washer	BNT5115	Line Guide Pawl	BNT5171	Brake Case
BNT4564	Screw	BNT5116	Line Guide	BNT5172	Br Dial
BNT4611	Screw	BNT5123	Clutch Spring Holder	BNT5173	Right Side Plate
BNT4630	Idle Gear Spring	BNT5126	Screw	BNT5305	Right Side Plate Assembly
BNT4642	Screw	BNT5127	Screw	BNT5310	Idle Gear Pin
BNT4729	O Ring	BNT5130	Screw	BNT5404	Screw
BNT4761	Star Drag Nut	BNT5132	Washer	BNT5557	Screw
BNT4874	Pawl Cap	BNT5133	Washer	BNT5629	Handle Knob Seal
BNT4939	Click Spring	BNT5134	Screw		
BNT4954	Idle Gear	BNT5135	Cam Lever Retainer		
BNT4959	Washer	BNT5137	Spool Assembly(With Bearing)		
BNT4981	O Ring	BNT5138	Brake Shoe	BNT3174	Reel Seat Spacer (accessory)
BNT5002	Screw	BNT5139	Bearing Pressure Spring	BNT4692	B-100 Oil (accessory)